

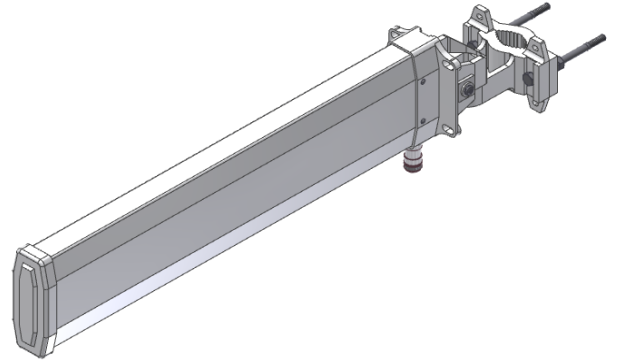
# PCS YAGI Antenna

1750 ~ 1860 MHz / 12 dBi

## PCS-SEYG-12

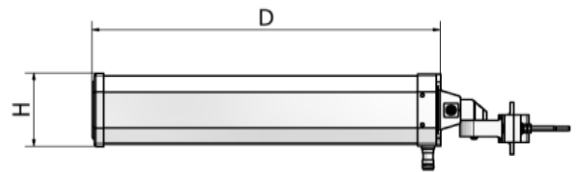
### i. Electrical Specification

Frequency Range		1750 ~ 1870 MHz
Polarization		Vertical
Band Width		120 MHz
Gain		≥ 12 dBi
Beam width	Horizontal	≥ Nominal 28°
	Vertical	≥ Nominal 28°
Swing width	Horizontal	± 90°
	Vertical	+ 30° / -30°
F-B ratio		≥ 15 Db
VSWR		1 : 1.5
Impedance		50 Ω
Maximum input power		50 W

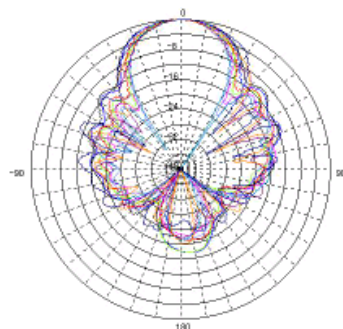


### ii. Mechanical Specification

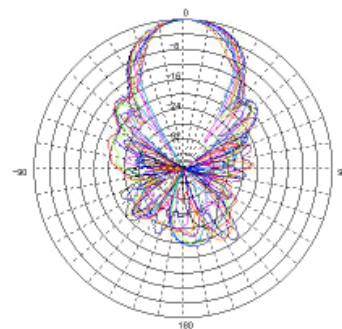
Radom Dimension ( H x W x D )	100 x 43 x 603 (mm)
Weight ( Include bracket )	≤ 1.5 kg
Connector Type	N-Female
Withstand Wind Pressure	60 m/sec
Radome Material	ASA
Radome Color	Cool Gray 1C
Mechanical Down Tilt	Up, Down ± 30°
	Left, Right ± 30°
Temperature	-40 °C ~ 70 °C
Packing Size ( H x W x D ) 10SET	-
Packing Weight 10SET	-



### iii. Radiation Pattern



Horizontal Pattern



Vertical Pattern